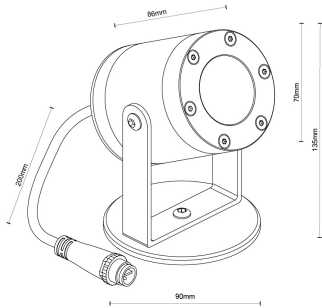


Underwater Light 5 Connector Series Bronze


Data Sheet



Physical Specification

Body	Quality corrosion resistant brass construction.
Lens	Clear tempered glass.
Reflector	High efficiency, reflective coated polycarbonate. 40ø reflector fitted Standard. 20ø/60ø optional. Refer to Custom Configuration Matrix.
Mounting Options	Surface mount submersed. Fitted mounting base included.
Weight (kg)	1
Operating Temperature	-20øC to +50øC
IP Rating	IP68

Electrical Specification and Performance

Input Voltage	24VDC.
Total Load	4 watts. >90 lumens per watt.
Driver	Driver onboard technology.
Remote Power Supply	Recommended Meanwell HLG Series 24VDC constant voltage (sold separately). Consider adding remote control and constant voltage.
Control	Requires clean on/off signal. If switching via automation relays use on/off. Do not use dimming relays as these may leak residual voltage.
Dimming	Triac or Dali available with approved Power Supply and compatible dimming control.
Certifications	

Finishes



■ BZE Bronze

Installation Instructions

Surface or submersible. Fitted mounting base included.
 Refer to Product Page or Technical Resources page to download Installation Sheet.

Underwater Light 5 Connector Series Bronze

Data Sheet

Standard or Custom Configurations

Standard range - locally stocked item

Designed to suit a variety of residential and landscaping applications the Standard range is readily available from your local Distributor. To identify your unique ordering code simply add your chosen finish to the end of the code matrix as shown below.

GANL	UW5CS	4W	2700	40D	BZE
GAN PREFIX	SERIES	TOTAL LOAD	LIGHT SOURCE (K)	REFLECTOR	FINISH
GANL	UW5CS	4W	2700	▼ 40D	■ BZE

Custom configuration - commercial specification

If required, we can provide a Custom solution to suit your large residential or commercial project. The following code matrix shows the options available. Production, costs and timing will vary depending on customisation. For assistance, speak to your local Commercial Distributor.

Stocked Commercial Distributor configuration shown below or Distributor customisation can be configured using this matrix.

GANX	UW5CS	4W	X	CV	24VDC	2700	80	40	BZE	X	CL
GAN PREFIX	SERIES	TOTAL LOAD	DIMMING	INPUT TYPE	INPUT VOLTAGE	LIGHT SOURCE (K)	CRI	REFLECTOR	FINISH	HEX LOUVRE	LENS
GANX	UW5CS	4W	D	CV	24VDC	2700	80	▼ 20D	■ BZE	■ HX	○ CL
			X			3000	90	▼ 40D			
						4000	90	▼ 60D			

Dimming: Triac or Dali available with approved Power Supply and compatible dimming control

Light Performance

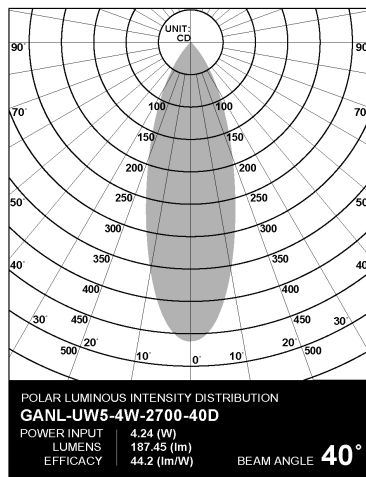
Photometrics

Photometrics

Diagram is based on test results as referred. Refer to Technical Resources page to view Photometric Diagram where applicable.

IES

IES Refer to Technical Resources page to download IES file.



Underwater Light 5 Connector Series Bronze

Data Sheet

Warranty

5 years. Applicable on purchases from 01/01/19.
 Refer to Technical Resources page to download Warranty Statement.

Wiring Guide

Refer to Technical Resources page to download Wiring Diagram/s.

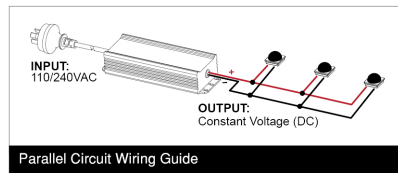


Diagram is a guide only. Wire colours and polarity may change depending on fixture and country.

Accessories

Associated accessories sold separately. Refer to Accessories.



CONNECTOR
 SERIES 1M
 EXTENSION



CONNECTOR
 SERIES 3M
 EXTENSION



CONNECTOR
 SERIES 15M
 FIELD CABLE



CONNECTOR
 SERIES 30M
 FIELD CABLE



CONNECTOR
 SERIES 2-
 WAY
 JUNCTION

Related Items for Installation

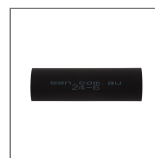
The following items are available to assist with installation and/or warranty compliance.



DC CABLE
 2.9MM² 100M



ADHESIVE
 LINED END
 CAP 12-4MM
 50 PIECES



ADHESIVE
 LINED TUBE
 24-6MM X
 110MM 10
 PIECES



POWER
 SUPPLY
 UNIT 60W

Underwater Light 5 Connector Series Bronze

Data Sheet

Related Fittings in Range

The following fittings are also available in the Underwater Lights range.



UNDERWATER
LIGHT 8
CONNECTOR
SERIES
BRONZE